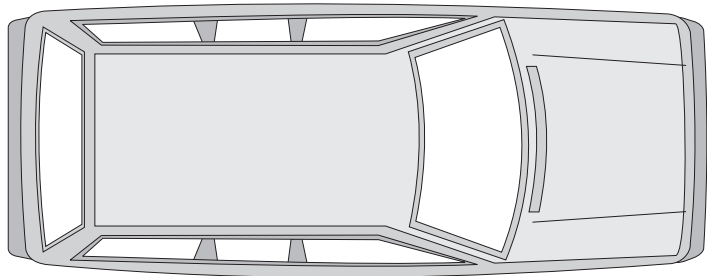


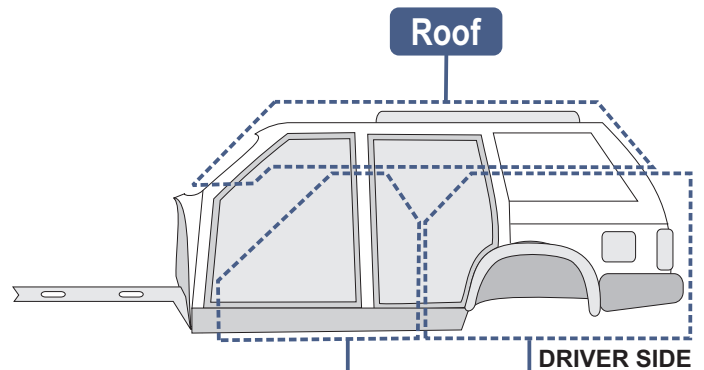
Utility Frame Recycled Body Cut Form

To: _____ From: _____
 Contact person: _____ Contact person: _____
 Phone #: _____ Fax #: _____ Date: _____
 Year: _____ Make: _____ Model: _____
 VIN #: _____ Build Date: _____
 Please sign: _____

Disclaimer: PAM's Auto DOES NOT accept returns on body cuts
 Important: these marks are our standard cuts – larger cuts may incur a surcharge



TOP VIEW

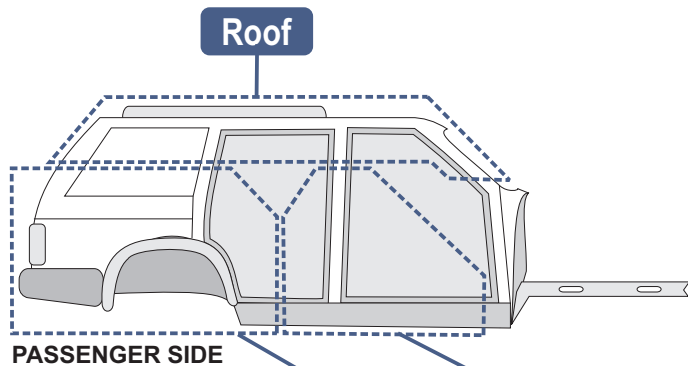


DRIVER SIDE

Center Pillar

Driver Quarter

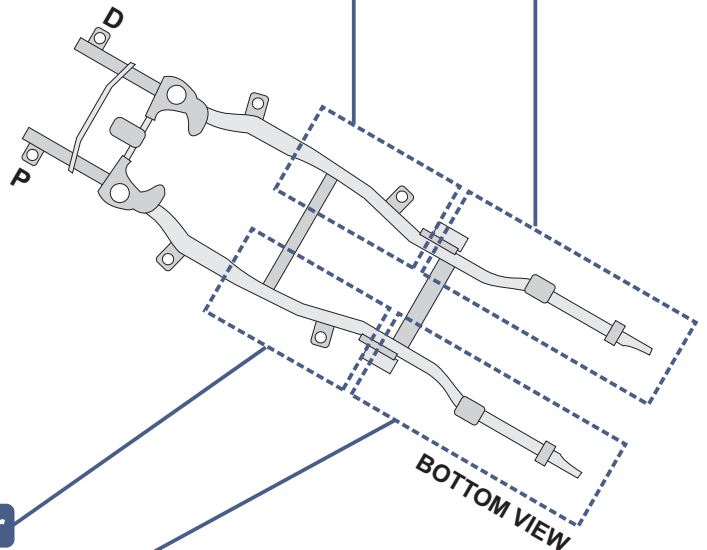
© 2007 by PAM's Auto Inc.



PASSENGER SIDE

Center Pillar

Passenger Quarter



BOTTOM VIEW



PAM's Auto Inc.
www.pamsauto.com

Toll free: **800.560.7336**
 Fax: **320.363.9232**