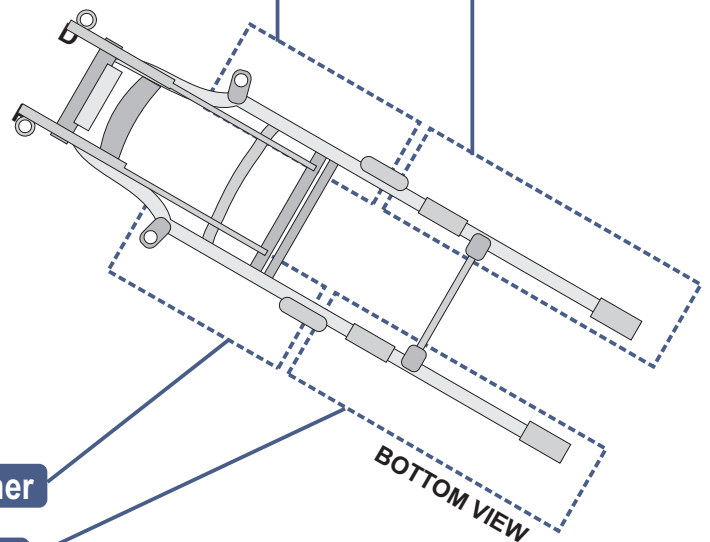
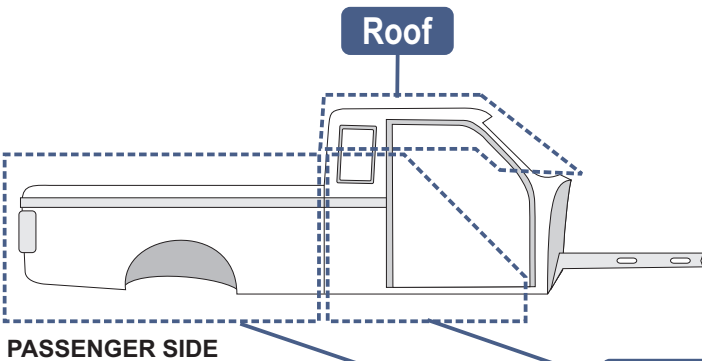
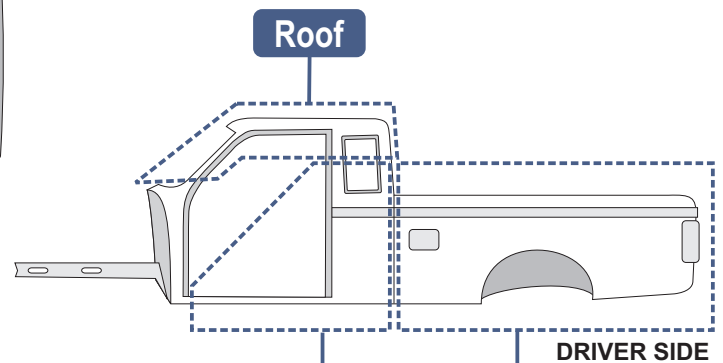
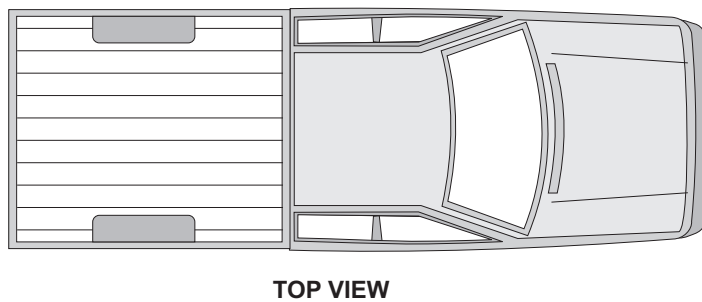


# Pickup Recycled Body Cut Form

To: \_\_\_\_\_ From: \_\_\_\_\_  
 Contact person: \_\_\_\_\_ Contact person: \_\_\_\_\_  
 Phone #: \_\_\_\_\_ Fax #: \_\_\_\_\_ Date: \_\_\_\_\_  
 Year: \_\_\_\_\_ Make: \_\_\_\_\_ Model: \_\_\_\_\_  
 VIN #: \_\_\_\_\_ Build Date: \_\_\_\_\_  
 Please sign: \_\_\_\_\_

**Disclaimer: PAM's Auto DOES NOT accept returns on body cuts**  
 Important: these marks are our standard cuts – larger cuts may incur a surcharge



© 2007 by PAM's Auto Inc.



**PAM's Auto Inc.**  
[www.pamsauto.com](http://www.pamsauto.com)

Toll free: **800.560.7336**  
 Fax: **320.363.9232**